

2-Post Open Frame Racks

2-Post Open Frame Rack



Two-Post Rack with shelves

Populated Two-Post Rack with vertical cable management

Application

Designed for use in communication data centers and telecommunication rooms, 2-Post Open Frame Racks satisfy basic functional requirements for structuring cable.

Features

- Range of heights from 4 ft. to 9 ft. (24U to 58U) to match capacity requirements; 19-in. Rack Packages are 7-ft. high
- Side rails are tapped on both sides with 12-24UNC threads for quick installation
- EIA Universal 5/8 in. - 5/8 in. - 1/2 in. vertical mounting hole pattern matches industry standards
- RU markings on both front and back of uprights make it easier to mount equipment
- Packed unassembled in individual cartons; assembly hardware (including twenty 12-24 mounting screws) is furnished for convenient storage and installation
- Can be shipped via FedEx or UPS
- Convenient rack and cable manager packages offered with either one or two 6-in. cable managers
- Includes one-piece hinged cover

Specifications

- Frame is a strong and lightweight aluminum (6063-T6 alloy) extrusion with RU markings on both front and back of uprights

Finish

RAL 9005 black polyester powder paint or milled aluminum

Load Rating

Do not exceed the following recommended load ratings.

- Floor Mount Rack - 1000 lb. (453.6 kg)
- One-Sided Solid Shelf - 150 lb. (68.0 kg)
- Double-Sided Shelf - 300 lb. (136.1 kg)
- One-Sided Vented Shelf - 150 lb. (68.0 kg)
- Double-Sided Vented Shelf - 300 lb. (136.1 kg)
- Adjustable Vented Shelf - 60 lb. (27.2 kg)
- Keyboard/Monitor Shelf - 200 lb. (90.7 kg)

Industry Standards

UL 1863 Listed; File No. E230874
cUL Listed per CSA C22.2 No. 182.4; File No. E230874

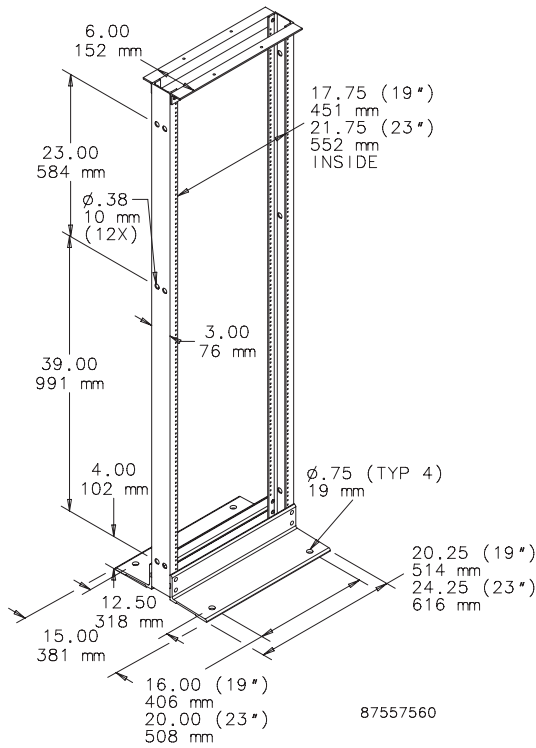
EIA 310-D

Bulletin: DOFR2

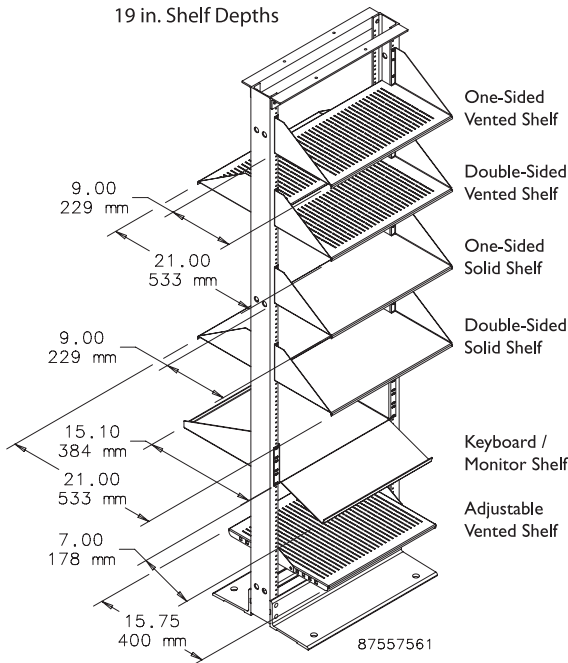
Standard Product

Catalog Number	AxBxC in.	AxBxC mm	Description	Finish	Rack Units	Nominal Frame Height
EDR19FM24U	48.00 x 20.25 x 15.00	1219 x 514 x 381	19-in. rack	Black	24	4 ft.
EDR19FM38U	72.00 x 20.25 x 15.00	1829 x 514 x 381	19-in. rack	Black	38	6 ft.
EDR19FM45U	84.00 x 20.25 x 15.00	2134 x 514 x 381	19-in. rack	Black	45	7 ft.
EVR19FM45U	84.00 x 20.25 x 15.00	2134 x 514 x 381	19-in. rack	Mill	45	7 ft.
EDR19FM51U	96.00 x 20.25 x 15.00	2438 x 514 x 381	19-in. rack	Black	51	8 ft.
EVR19FM51U	96.00 x 20.25 x 15.00	2438 x 514 x 381	19-in. rack	Mill	51	8 ft.
EDR19FM58U	108.00 x 20.25 x 15.00	2743 x 514 x 381	19-in. rack	Black	58	9 ft.
EVR19FM58U	108.00 x 20.25 x 15.00	2743 x 514 x 381	19-in. rack	Mill	58	9 ft.
EDR23FM24U	48.00 x 24.25 x 15.00	1219 x 616 x 381	23-in. rack	Black	24	4 ft.
EDR23FM38U	72.00 x 24.25 x 15.00	1829 x 616 x 381	23-in. rack	Black	38	6 ft.
EDR23FM45U	84.00 x 24.25 x 15.00	2134 x 616 x 381	23-in. rack	Black	45	7 ft.
EVR23FM45U	84.00 x 24.25 x 15.00	2134 x 616 x 381	23-in. rack	Mill	45	7 ft.
EDR23FM51U	96.00 x 24.25 x 15.00	2438 x 616 x 381	23-in. rack	Black	51	8 ft.
EVR23FM51U	96.00 x 24.25 x 15.00	2438 x 616 x 381	23-in. rack	Mill	51	8 ft.
EDR19FM45UCM1	84.00 x 27.50 x 18.00	2134 x 699 x 457	19-in. rack package, 1 cable manager	Black	45	7 ft.
EDR19FM45UCM2	84.00 x 34.75 x 18.00	2134 x 883 x 457	19-in. rack package, 2 cable managers	Black	45	7 ft.
EVR19FM45UCM1	84.00 x 27.50 x 18.00	2134 x 699 x 457	19-in. rack package, 1 cable manager	Mill	45	7 ft.

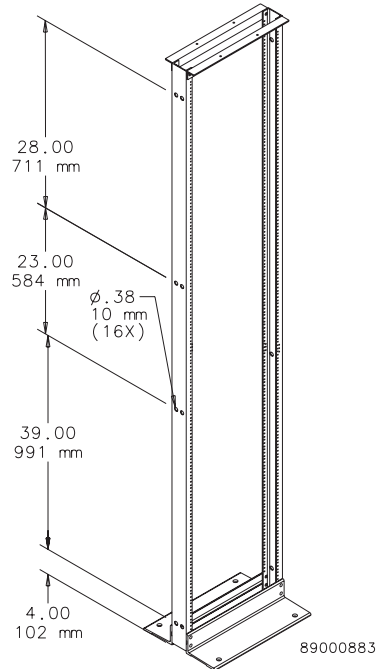
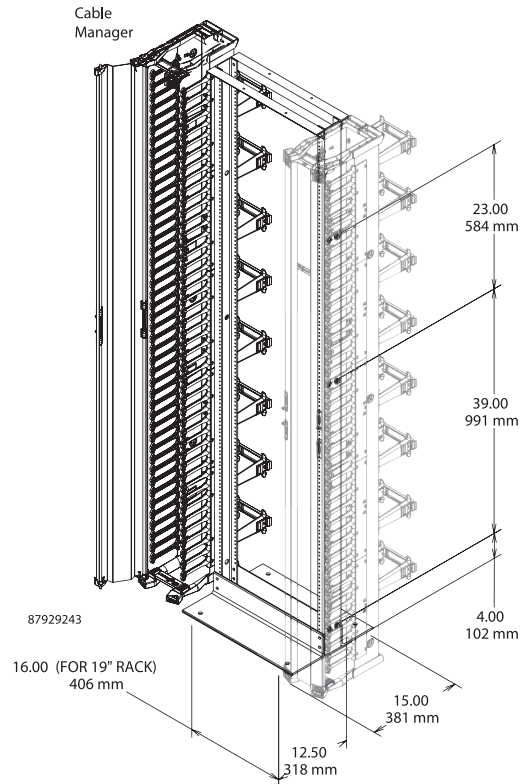
2-Post Open Frame Racks



19 in. Shelf Depths



2-Post Rack Package
(CableTek Vertical Cable Manager shown with alternate mounting locations)



8-Foot and 9-Foot Racks Only

(Width and Depth dimensions identical to 7-Foot Rack)

2-Post Open Frame Racks

Heavy Duty 2-Post Open Frame Rack



Application

For use in communication data center and telecommunication room applications, Heavy Duty 2-Post Racks feature vertical channels that protect and manage cables and can accommodate 19- or 23-in. equipment. This rack can also be ganged with standard 2- or 4-post racks to expand existing systems.

Features

- Load rating 2500 lb. (1134 kg) per UL 1863 testing requirements
- Available with either RAL 9005 smooth polyester powder paint or brushed aluminum finish
- Both 7-ft. (2.1-m) and 8-ft. (2.4-m) high models available
- Can be assembled with either 19- or 23-in. spacing
- Six-inch deep vertical rails allow room for cable management
- Predrilled holes in base for fastening to floor
- Shipped flat for easy transport to job site
- Complete assembly instructions and all mounting hardware included
- Fully compatible with existing 19-in. or 23-in. accessories, depending on configuration
- Includes 12 movable cable eyes

Specifications

- Made of light-weight aluminum (5052-H32 alloy)
- Universal EIA 5/8 in. - 5/8 in. - 1/2 in. hole spacing on both sides of vertical rails

Industry Standards

UL 1863 Listed; File No. E230874
 cUL Listed per CSA C22.2 No. 182.4 Listed; File No. E230874

EIA 310-D

Finish

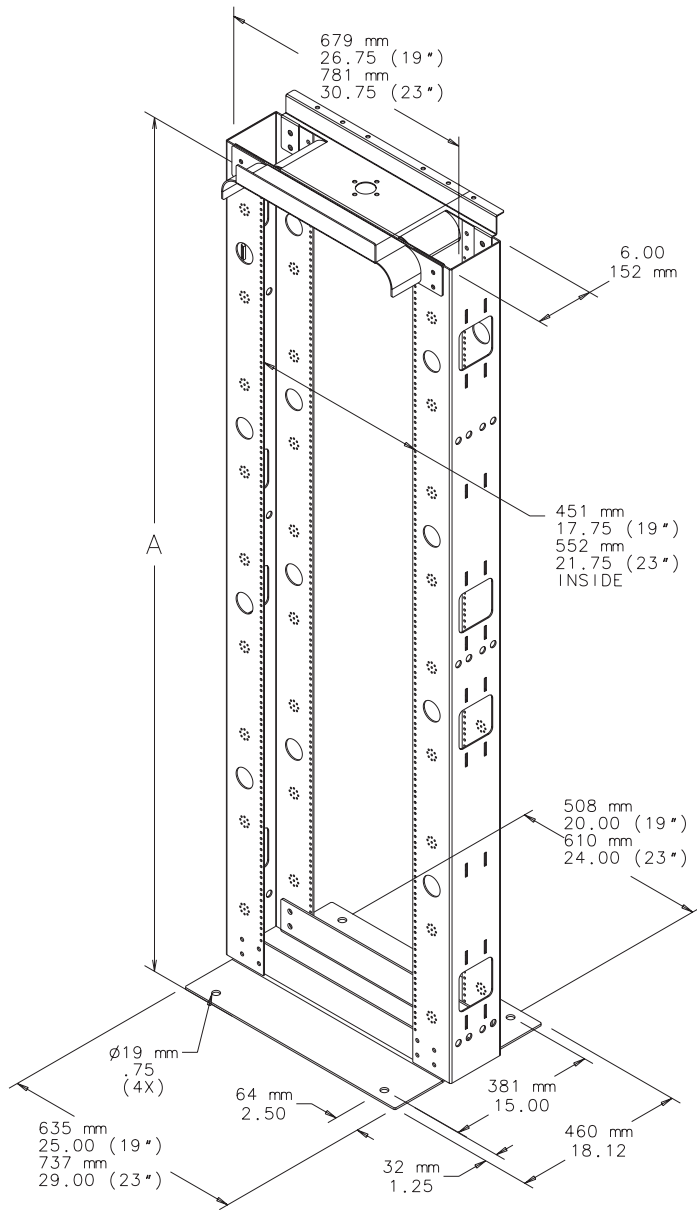
RAL 9005 smooth black polyester paint or brushed aluminum

Bulletin: DOFRS

Standard Product

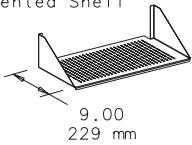
Catalog Number	AxBxC in.	AxBxC mm	Finish	Rack Units	Nominal Frame Height A
EMDR19FM44U	86.00 x 26.75 x 18.12	2184 x 679 x 460	Black paint	44	7 ft.
EMDR19FM50U	98.00 x 26.75 x 18.12	2489 x 679 x 460	Black paint	50	8 ft.

2-Post Open Frame Racks

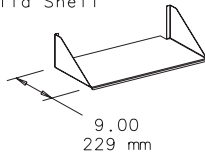


87574164

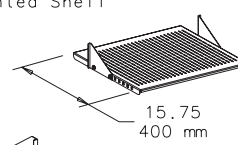
One-Sided Vented Shelf



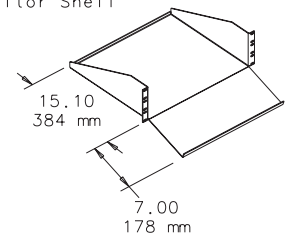
One-Sided Solid Shelf



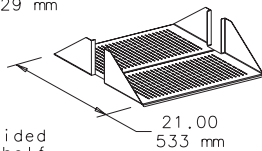
Adjustable Vented Shelf



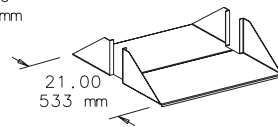
Keyboard/Monitor Shelf



Double-Sided Vented Shelf



Double-Sided Solid Shelf



87784347

4-Post Open Frame Racks

4-Post Open Frame Rack

Rack depth fully adjustable



Application

4-Post Open Frame Racks combine the mounting security of a cabinet with the accessibility of a rack. Used in communication data center and telecommunication room applications, these adjustable-depth racks support deeper, heavier network equipment and can be ganged with standard 2-post or other 4-post racks to expand existing systems.

Features

- Depth adjustable 450 mm to 1050 mm (17.7 in. to 41.3 in.) in 25-mm (.98-in.) increments
- EIA universal 5/8 - 5/8 - 1/2 in. spaced 12-24 tapped holes or .375-in. square holes fit 19-in. rack equipment
- Compatible with 19-in. rack accessories
- Available with nominal frame height of 6, 7 and 8 ft.
- RU markings on both front and back of tapped-hole uprights make it easier to mount equipment
- Floor mounting holes predrilled at .750-in. diameter
- 12-24 rack mounting screws (pkg. of 20) included with tapped-hole model
- For square hole model, order screws and cage nuts separately
- Can be ganged with both 2- and 4-Post Open Frame racks
- Includes complete assembly instructions
- Shipped unassembled for convenient transport to job site

Specifications

- Uprights on the tapped-hole model are made of lightweight extruded aluminum (6063-T6 alloy) and include RU markings on both front and back of uprights
- Uprights on the square-hole model are made from 12 gauge steel
- Top and bottom angles made of extruded aluminum (6063-T6 alloy)

Finish

Smooth RAL 9005 black polyester powder paint finish.

Load Rating

2500 lb. (1134 kg)

Bulletin: DOFR4

Industry Standards

UL 1863 Listed; File No. E230874
 cUL Listed per CSA C22.2 No. 182.4; File No. E230874

EIA 310-D

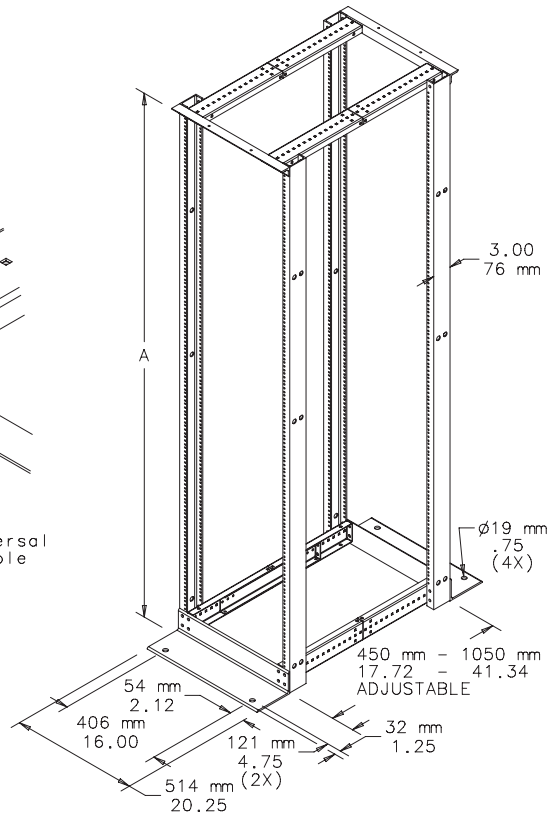
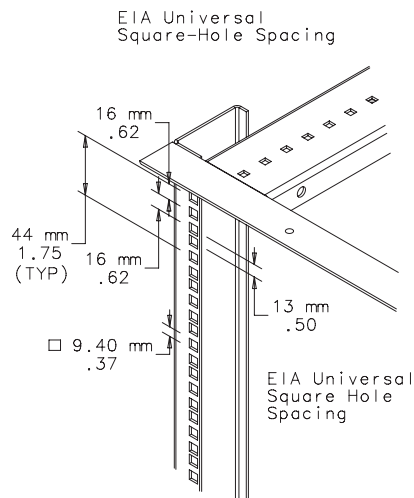
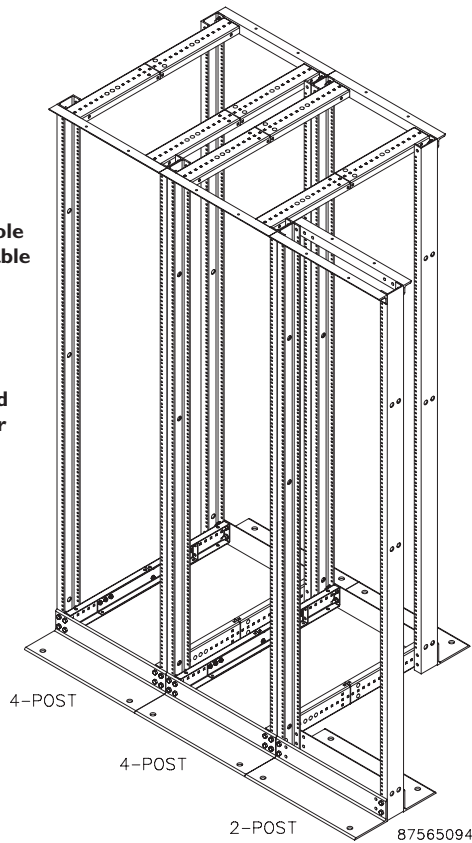
Standard Product

Catalog Number	AxB mm	AxB in.	Mounting Hole Type	Rack Units	Nominal Frame Height A
E4DR19FM38U	1826 x 514	71.88 x 20.25	Tapped	38	6 ft.
E4DR19FM45U	2131 x 514	83.88 x 20.25	Tapped	45	7 ft.
E4DR19FM51U	2438 x 514	96.00 x 20.25	Tapped	51	8 ft.
E4DRS19FM45U	2131 x 514	83.88 x 20.25	Square	45	7 ft.
E4DRS19FM51U	2438 x 514	96.00 x 20.25	Square	51	8 ft.

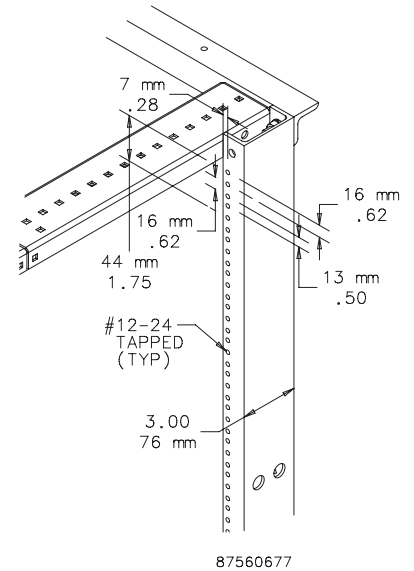
4-Post Open Frame Racks

Both tapped and square hole models available (tapped hole model shown)

4-post racks can be ganged with 2-post or other 4-post racks



EIA Universal Tapped-Hole Spacing



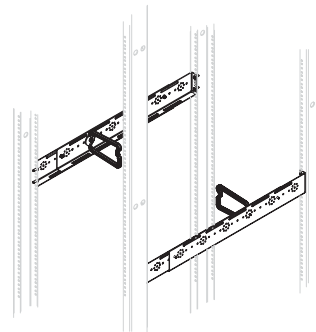
Open Frame Rack Accessories

4-Post Open Frame Rack Front-to-Back Cable Manager

Cable Manager provides holes for mounting D-Rings and Spools to facilitate routing and managing cable in a 4-Post Open Frame Rack. Mounts to rack uprights. Made of steel with RAL 9005 black polyester paint finish. Includes six large D-Rings.

Bulletin: DOFRY

Catalog Number	Height mm/in.	Width mm/in.	Adjusts to Fit 4-Post Depth	Pkg. Qty.
E4FBCM	74 2.90	22 .85	750-1050	1



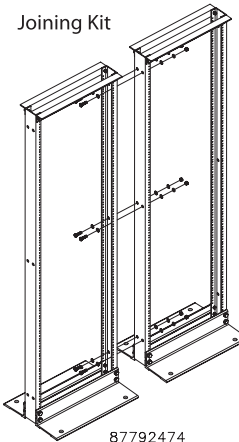
87799410

Joining Kit

Hardware kit to join two open-frame racks. Made of steel with plated finish.

Bulletin: DOFRY

Catalog Number	Description
EJ2DR	Joining Kit, Side-to-Side



87792474

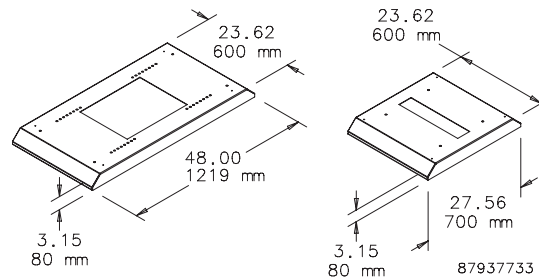
Mobile Base for Open Frame Racks



Models for 19-in. 2- and 4-Post Open Frame Racks. Includes four non-locking casters. Will also accept standard levelers. Order catalog number PLM12 separately. The rack mounts on the base to provide greater stability with mobility. Made of steel with RAL 9005 black polyester powder paint finish. Mounting hardware included.

Bulletin: DOFRY

Catalog Number	Fits
A19MB600	2-post open-frame racks
A19MB1000	4-post open-frame racks with depth adjustable between 17.7- and 29.5-in. (450- and 750-mm) in 0.98-in. (25-mm) increments



87937733

Open Frame Rack Accessories

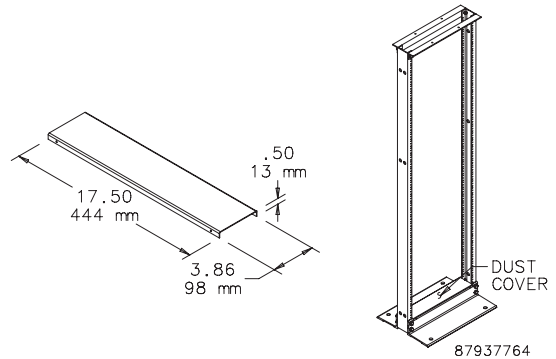
Dust Cover



Provides a finished appearance to the base of a two-post rack. Made of steel with RAL 9005 black polyester powder paint finish.

Bulletin: DOFRY

Catalog Number	Use with
EDUSTCVR	DataCom 2-post rack



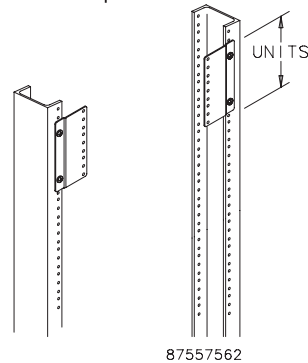
Panel Adapter

Adapts 23-in. open frame rack to accept 19-in. equipment. Offset provides flush mounting surface. Steel with plated finish. Furnished in pairs.

Bulletin: DACCY

Catalog Number	Rack Units
ERB1U2319	1
ERB3U2319	3
ERB5U2319	5

Panel Adapter



Concrete Expansion Bolt Anchor Kit

For use with seismic and non-seismic open frame racks.

Bulletin: DACCY

Catalog Number	Size	Qty.
ESBDK	3/8 in.	4

Electrical Isolation Kit

Provides electrical isolation between the 2-Post Open Frame Rack and the floor. Includes isolation plate and plastic bushings. Made of 0.125-in. fiberglass. Rack and floor fastening hardware not included.

Bulletin: DOFRY

Catalog Number	Description
A19ESOK	Electrical Isolation Kit

